

MAX-8

V2312.01



MAX-8

Excellent Performances & Reliability

CPCD15-35T8

CPQD30-35T8

T8 series 1.5-3.5t forklift

EP EQUIPMENT CO.,LTD
www.ep-equipment.com



CPCD15/18T8

T8 series 1.5-1.8t forklift specification

		EP	
		CPCD15T8-S4Q2	CPCD18T8-S4Q2
General	1 Manufacture		
	2 Model	Diesel	Diesel
General	3 Power type	Diesel	Diesel
	4 Rated capacity	1500 1800	1500 1800
	5 Load center	500	500
	6 Lift height	3000	3000
	7 Free lift height	120 120	120 120
	8 Fork size	920×100×40	920×100×40
	9 Mast tilt range	6/12	6/12
Characteristics & Dimensions	10 Fork overhang(wheel center to fork face)	420	420
	11 Rear overhang	420	420
	12 Length to face of fork	2270	2320
	13 Overall width	1080	1080
	14 Overall dimensions	1985	1985
	15 Mast extended height	3960	3960
	16 Overhead guard height	2070	2070
	17 Turning radius(outside)	1995	2035
	18 Min.right angle stacking aisle width (Add load length and clearance)	2400	2440
	19 Travel (No load)	14	14
Performance	20 Speed	460	460
	21 Lifting (Full load)	460	460
	22 Lowering (Full load)	450	450
	23 Max.Drawbar Pull (Full load)	14300	14800
	24 Max.Gradeability (Full load)	20	20
Chassis	25 Tyres	6.50-10-10PR 5.00-8-10PR	6.50-10-10PR 5.00-8-10PR
	26 Tread	920	920
	27 Wheelbase	920	920
	28 Ground clearance	1430	1430
	29 Wheelbase	110	110
	30 Lowest clearance	140	140
	31 Self weight	2700	2900
Weight	32 Full load	3570	3995
	33 Weight	630	705
	34 Distribution	1215	1305
	35 No load	1485	1595
	36 Voltage/Capacity(20HR)	12/60	12/60
Power & transmission	37 Model	S4Q2	S4Q2
	38 Manufacture	Mitsubishi	Mitsubishi
	39 Rated output/r.p.m	32.9/2500	32.9/2500
	40 Rated torque/r.p.m	135/2000	135/2000
	41 Engine	4	4
	42 Bore×Stroke	88×103	88×103
	43 Displacement	2505	2505
	44 Fuel tank capacity	50	50
	45 Manufacture	OEM	OEM
	46 Transmissions	Powershift	Powershift
47 Stage	1/1	1/1	
48 Operating pressure	15	15	

1.Special lifting height available (2-stage mast :2.5m,2.7m,3.0m,3.3m,3.5m,3.6m,3.7m,4m,4.3m,4.5m,5m. Full Free Duplex Mast 3.0m,3.3m,3.5m,3.6m. 3-stage mast : 4.3m,4.5m,4.8m,5.5m,6m)
 2.Attachment available. 3.The specification in the table are for standard models only.For further information please contact us. 4.Specification are subject to change without notice.

CPCD20/25T8

T8 series 2.0-2.5t forklift specification

General		EP													
		CPCD2018-S4S	CPCD2018-C490	CPCD2018-C240	CPCD2018-TD27	CPCD2518-C490	CPCD2518-S4S	CPCD2518-C240	CPCD2518-TD27	CPCD2518-GK25					
1	Manufacture														
2	Model														
3	Power type	Diesel													
4	Rated capacity	2000		2000		2000		2000		2500		2500		Gasoline	
5	Load center	500		500		500		500		500		500		5000	
6	Lift height	3000		3000		3000		3000		3000		3000		3000	
7	Free lift height	120		120		120		120		120		120		120	
8	Fork size	1070×120×40		1070×120×40		1070×120×40		1070×120×40		1070×120×40		1070×120×40		1070×120×40	
9	Mast tilt range	6/12		6/12		6/12		6/12		6/12		6/12		6/12	
10	Fork overhang(wheel center to fork face)	476		476		476		476		476		476		476	
11	Rear overhang	485		485		485		485		485		485		485	
12	Length to face of fork	2610		2610		2610		2610		2660		2660		2660	
13	Overall width	1150		1150		1150		1150		1150		1150		1150	
14	Mast lowered height	2050		2050		2050		2050		2050		2050		2050	
15	Mast extended height	4200		4200		4200		4200		4200		4200		4200	
16	Overhead guard height	2130		2130		2130		2130		2130		2130		2130	
17	Turning radius(outside)	2170		2170		2170		2170		2230		2230		2230	
18	Min.right angle stacking aisle width (Add load length and clearance)	2880		2880		2880		2880		2740		2740		2740	
19	Travel (No load)	20		20		20		20		20		20		20	
20	Speed	450		450		450		450		450		450		450	
21	Lifting (Full load)	450		450		450		450		450		450		450	
22	Max.Drawbar Pull (Full load)	14300		14300		14300		14300		14800		14800		14800	
23	Max.Gradeability (Full load)	20		20		20		20		20		20		20	
24	Tyres	7.00-12-12PR		7.00-12-12PR		7.00-12-12PR		7.00-12-12PR		7.00-12-12PR		7.00-12-12PR		7.00-12-12PR	
25	Tyres	6.00-9-10PR		6.00-9-10PR		6.00-9-10PR		6.00-9-10PR		6.00-9-10PR		6.00-9-10PR		6.00-9-10PR	
26	Tread	970		970		970		970		970		970		970	
27	Tread	970		970		970		970		970		970		970	
28	Wheelbase	1600		1600		1600		1600		1600		1600		1600	
29	Ground clearance	120		120		120		120		120		120		120	
30	Wheelbase	145		145		145		145		145		145		145	
31	Self weight	3580		3580		3580		3580		3920		3920		3920	
32	Weight	4856		4856		4856		4856		5588		5588		5588	
33	Weight	724		724		724		724		832		832		832	
34	Distribution	1428		1428		1428		1428		1560		1560		1560	
35	Distribution	2152		2142		2142		2142		2360		2360		2360	
36	Battery	12/60		12/60		12/60		12/60		12/60		12/60		12/60	
37	Model	S4S-DPEU2		C490BPG-25		C240		TD27		C490BPG-25		S4S-DPEU2		GK25	
38	Manufacture	Mitsubishi		XIN CHAI		ISUZU		GCT		XIN CHAI		Mitsubishi		GCT	
39	Rated output/p.p.m	35.3/2250		36.8/2650		34.5/2500		38.5/2300		36.8/2650		35.3/2250		34.5/2500	
40	Rated torque/p.p.m	177/1700		156/1700-1900		139/1800		160/2300		156/1700-1900		177/1700		139/1800	
41	Engine	4		4		4		4		4		4		4	
42	BoerxStroke	94×120		90×105		86×102		96/92		90×105		86×102		89×100	
43	Displacement	3331		2670		2369		2663		2670		2369		2488	
44	Fuel tank capacity	L		60		60		60		60		60		60	
45	Manufacture	OEM		OEM		OEM		OEM		OEM		OEM		OEM	
46	Transmissions	Powershift		Powershift		Powershift		Powershift		Powershift		Powershift		Powershift	
47	Stage	1/1		2/2		1/1		1/1		1/1		1/1		1/1	
48	Operating pressure	17.5		17.5		17.5		17.5		17.5		17.5		17.5	

1.Special lifting height available (2-stage mast :2.5m,2.7m,3.0m,3.3m,3.5m,3.7m,4m,4.3m,4.5m,5m. Full Free Duplex Mast 3.0m,3.3m,3.5m,3.6m. 3-stage mast : 4.3m,4.5m,4.8m,5m,5.5m,6m)
 2.Attachment available. 3. The specification in the table are for standard models only.For further information please contact us. 4.Specification are subject to change without notice.

CPC(Q)D30/35T8

T8 series 3.0-3.5t forklift specification

		EP												
		CPCD30T8-S4S	CPCD30T8-C490	CPCD30T8-A498	CPCD30T8-C240	CPD30T8-TD27	CPD30T8-GK25	CPCD35T8-S4S	CPCD35T8-A498	CPD35T8-TD27	CPD35T8-GK25	CPCD35T8-GK25	CPD35T8-4JG2	
		Diesel	Diesel	Diesel	Diesel	Diesel	Gasoline	Diesel	Diesel	Diesel	Gasoline	Gasoline	Diesel	
1	Manufacture													
2	Model													
3	Power type													
4	Rated capacity	Kg	3000	3000	3000	3000	3000	3500	3500	3500	3000	3500	3500	3000
5	Load center	mm	500	500	500	500	500	500	500	500	500	500	500	500
6	Load height	mm	3000	3000	3000	3000	3000	3000	3000	3000	3000	3000	3000	3000
7	Lift height	mm	120	120	120	120	120	120	120	120	120	120	120	120
8	Fork size	L×W×T	1070×125×45	1070×125×45	1070×125×45	1070×125×45	1070×125×45	1070×125×50	1070×125×50	1070×125×50	1070×125×50	1070×125×50	1070×125×50	1070×125×50
9	Mast tilt range	F/R	6/12	6/12	6/12	6/12	6/12	6/12	6/12	6/12	6/12	6/12	6/12	6/12
10	Fork overhang(wheel center to fork face)	mm	481	481	481	481	481	486	486	481	486	486	481	
11	Rear overhang	mm	590	590	590	590	590	590	590	590	590	590	590	
12	Length to face of fork	mm	2762	2762	2762	2762	2762	2822	2822	2822	2822	2822	2822	
13	Overall width	mm	1200	1200	1200	1200	1200	1200	1200	1200	1200	1200	1200	
14	Overall dimensions	mm	2070	2070	2070	2070	2070	2070	2070	2070	2070	2070	2070	
15	Mast lowered height	mm	4210	4210	4210	4210	4210	4210	4210	4210	4210	4210	4210	
16	Mast extended height	mm	2180	2180	2180	2180	2180	2180	2180	2180	2180	2180	2180	
17	Overhead guard height	mm	2450	2450	2450	2450	2450	2510	2510	2510	2510	2510	2510	
18	Turning radius(outside)	mm	2950	2950	2950	2950	2950	3010	3010	3010	3010	3010	3010	
19	Min.right angle stacking aisle width (Add load length and clearance)	mm	20	20	20	20	20	20	20	20	20	20	20	
20	Speed	Km/h	40	40	40	40	40	40	40	40	40	40	40	
21	Lifting (Full load)	mm/sec	400	400	400	400	400	400	400	400	400	400	400	
22	Lowering (Full load)	mm/sec	400	400	400	400	400	400	400	400	400	400	400	
23	Max.Drawbar Pull (Full load)	N	21000	21000	21000	21000	21000	21500	21500	21500	21500	21500	21500	
24	Max.Gradeability (Full load)	%	20	20	20	20	20	20	20	20	20	20	20	
25	Tyres	mm	28×9-15-12PR	28×9-15-12PR	28×9-15-12PR	28×9-15-12PR	28×9-15-12PR	28×9-15-12PR	28×9-15-12PR	28×9-15-12PR	28×9-15-12PR	28×9-15-12PR	28×9-15-12PR	
26	Tread	mm	6.50-10-10PR	6.50-10-10PR	6.50-10-10PR	6.50-10-10PR	6.50-10-10PR	6.50-10-10PR	6.50-10-10PR	6.50-10-10PR	6.50-10-10PR	6.50-10-10PR	6.50-10-10PR	
27	Wheelbase	mm	980	980	980	980	980	980	980	980	980	980	980	
28	Ground clearance	mm	170	170	170	170	170	170	170	170	170	170	170	
29	Wheelbase center	mm	140	140	140	140	140	140	140	140	140	140	140	
30	Self-weight	Kg	4450	4450	4450	4450	4450	4450	4450	4450	4450	4450	4450	
31	Full load	mm	6488	6488	6488	6488	6488	6488	6488	6488	6488	6488	6488	
32	Rear	mm	962	962	962	962	962	962	962	962	962	962	962	
33	Front	mm	1810	1810	1810	1810	1810	1810	1810	1810	1810	1810	1810	
34	Distribution	mm	2640	2640	2640	2640	2640	2640	2640	2640	2640	2640	2640	
35	Battery	V/AH	S4S-DPEU2	C490BP-G-25	A498BT1-39	C240	ISUZU	XN CHAI	XN CHAI	GCT	GCT	GCT	GCT	
36	Rated output/r.p.m	kw	35.3/2250	36.8/2650	36.8/2400	34.5/2500	38.5/2300	37.4/2300	35.3/2250	36.8/2400	38.5/2300	37.4/2300	37.4/2300	
37	Rated torque/r.p.m	N.m	177/1700	156/1700-1900	186/1600-1800	139/1800	160/2300	176.5/1600	177/1700	186/1600-1800	160/2300	176.5/1600	184.7/1700	
38	No.of cylinder		4	4	4	4	4	4	4	4	4	4	4	
39	Bore×Stroke	mm	94×120	90×105	95×105	86×102	96/92	89×100	94×120	96/92	96/92	89×100	95.4×107	
40	Displacement	cc	3331	2670	2980	2369	2663	2488	2980	2663	2663	2488	3059	
41	Fuel tank capacity	L	70	60	70	70	60	70	75	60	70	75	75	
42	Manufacture		OEM	OEM	OEM	OEM	OEM	OEM	OEM	OEM	OEM	OEM	OEM	
43	Type		Powershift	Powershift	Powershift	Powershift	Powershift	Powershift	Powershift	Powershift	Powershift	Powershift	Powershift	
44	Stage		1/1	1/1	1/1	1/1	1/1	1/1	1/1	1/1	1/1	1/1	1/1	
45	Operating pressure	Mpa	17.5	17.5	17.5	17.5	17.5	17.5	17.5	17.5	17.5	17.5	17.5	
46	For attachments													
47														
48														

1.Special lifting height available (2-stage mast :2.5m,2.7m,3.0m,3.3m,3.6m,3.7m,4m,4.3m,4.5m,5m. Full Free Duplex Mast 3.0m,3.3m,3.5m,3.6m. 3-stage mast : 4.3m,4.5m,4.8m,5m,5.5m,6m)
 2.Attachment available. 3.The specification in the table are for standard models only,For further information please contact us. 4.Specification are subject to change without notice.

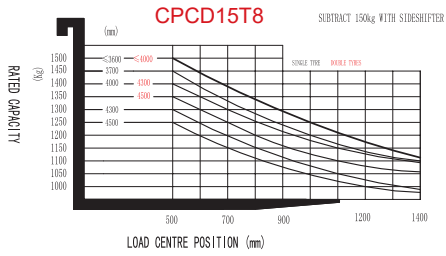
CPCD20/25/30/35T8

T8 series 2.0-3.5t forklift specification (Meets Euro Stage V Legislation)

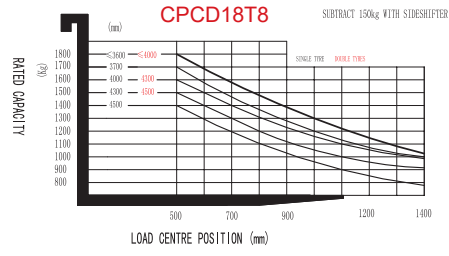
General		EP			
1	Manufacture	CPCD20T8	CPCD25T8	CPCD30T8	CPCD35T8
2	Model	Diesel	Diesel	Diesel	Diesel
3	Power type	2000	3000	3000	3500
4	Rated capacity	500	500	500	500
5	Load center	mm	3000	3000	3000
6	Lift height	mm	120	120	120
7	Free lift height	mm	1070*120*40	1070*125*45	1070*125*50
8	Fork size	L*W*T	612	612	612
9	Mast tilt range	F/R	476	481	486
10	Fork overhang(wheel center to fork face)	deg	485	550	590
11	Rear overhang	mm	2610	2660	2762
12	Length to face of fork	mm	1150	1150	1200
13	Overall width	mm	2050	2050	2070
14	Mast lowered height	mm	4200	4200	4210
15	Mast extended height	mm	2130	2130	2180
16	Overhead guard height	mm	2170	2230	2450
17	Turning radius(outside)	mm	2680	2740	2950
18	Min.right angle stacking aisle width (Add load length and clearance)	mm	20	20	20
19	Travel (No load)	Km/h	450	450	400
20	Speed	mm/sec	450	450	400
21	Lifting (Full load)	mm/sec	14300	14800	21000
22	Lowering (Full load)	N	20	20	20
23	Max. Drawbar Pull (Full load)	%	7.00-12-12PR	7.00-12-12PR	7.00-12-12PR
24	Max. Gradeability (Full load)	mm	6.00-9-10PR	6.00-9-10PR	6.50-10-10PR
25	Tyres	mm	970	970	1010
26	Tread	mm	1600	1600	1700
27	Wheelbase	mm	145	145	175
28	Ground clearance	mm	3580	3920	4450
29	Wheelbase center	Kg	4856	5588	6488
30	Self weight	kg	724	832	962
31	Weight	mm	1428	1560	1810
32	Distribution	V/AH	2142	2360	2640
33	Battery	Modal	3E22YG51	XIN CHAI	28*9-15-12PR
34	Rated output/r.p.m	kw	44.8/2400	210/1600-1800	6.50-10-10PR
35	Rated torque/r.p.m	N.m	3	3	1010
36	No.of cylinder	mm	94X107	2226	980
37	Bore*Stroke	cc	60	60	170
38	Displacement	L	OEM	OEM	1760
39	Fuel tank capacity	mm	17.5	17.5	175
40	Manufacture	Type	Powershift	Powershift	Powershift
41	Type	Stage	1/1	2/2	1/1
42	Operating pressure	For attachments	Mpa	17.5	17.5
43	For attachments				
44					
45					
46					
47					
48					

1. Special lifting height available (2-stage mast :2.5m,2.7m,3.0m,3.3m,3.5m,3.6m,3.7m,4m,4.3m,4.5m,5m. Full Free Duplex Mast 3.0m,3.3m,3.5m,3.6m. 3-stage mast : 4.3m,4.5m,4.8m,5m,5.5m,6m)
 2.Attachment available. 3. The specification in the table are for standard models only,For further information please contact us. 4.Specification are subject to change without notice.

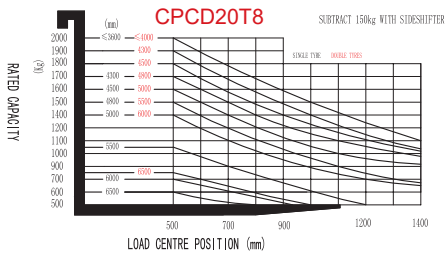
RATED CAPACITIES AND LOAD CENTERS GRAPH



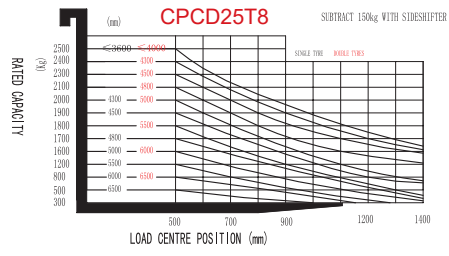
RATED CAPACITIES AND LOAD CENTERS GRAPH



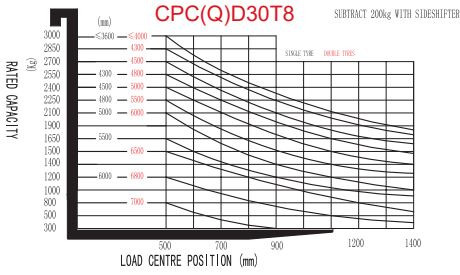
RATED CAPACITIES AND LOAD CENTERS GRAPH



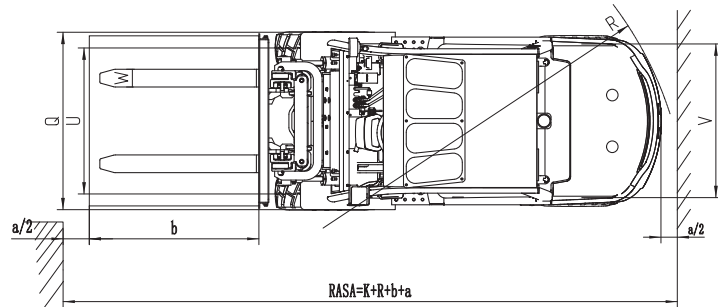
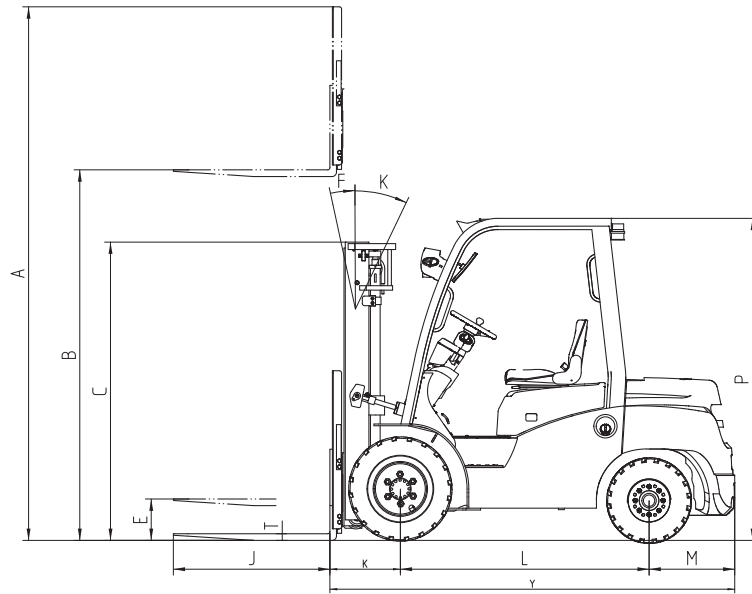
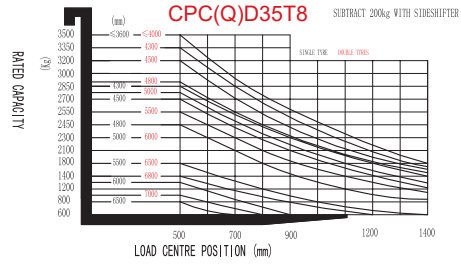
RATED CAPACITIES AND LOAD CENTERS GRAPH



RATED CAPACITIES AND LOAD CENTERS GRAPH



RATED CAPACITIES AND LOAD CENTERS GRAPH



Option

Options	15/18T8	20/25T8	30T8	35T8
1 Fork length	○	○	○	○
2 Fork extension	○	○	○	○
3 Folded fork	○	○	○	○
4 Imported diesel engine	○	○	○	○
5 Import Gasoline Engine	○	○	○	○
6 LPG system	○	○	○	○
7 High exhaust	○	○	○	○
8 Dual air clearners or special air cleaner	○	○	○	○
9 Solid rubber tire	○	○	○	○
10 No marking solid tire	○	○	○	○
11 Overhead guard	●	●	●	●
12 Mast options	○	○	○	○
13 Attachments	○	○	○	○
14 Integrated side shift	○	○	○	○
15 Cockpit	●	●	●	●
16 heater	○	○	○	○
17 Front windshield with wiper	○	○	○	○
18 Rear windshield with wiper	○	○	○	○
19 Fan	○	○	○	○
20 Full steel cabin room	○	○	○	○
21 LED front light	●	●	●	●
22 Rear working LED light	○	○	○	○
23 Fire extinguisher	○	○	○	○
24 Suspension seat	○	○	○	○
25 Seat switch	●	●	●	●
26 Warning light	●	●	●	●
27 Insulation mat	○	○	○	○
28 Double front tyre	○	○	○	○
29 OPS system	○	○	○	○

Note: ● standard ○ option — NA

